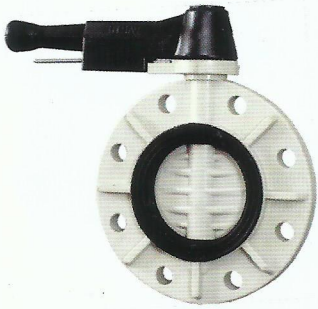


# PP BUTTERFLY VALVE - Flange End



## TECHNICAL DATA :

**CONSTRUCTION :** Single piece body.

**DESIGN AND MANUFACTURING STD. :** As per Manufacturer's Standard

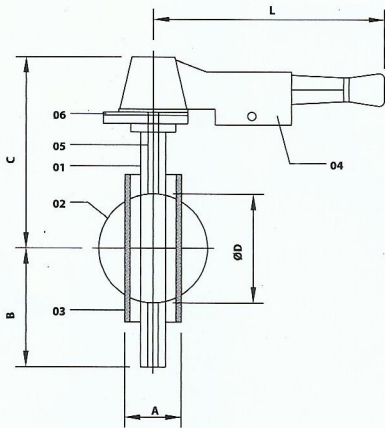
**END CONNECTIONS :** Flanged as per ASA 150 #

## AVAILABLE M.O.C. :

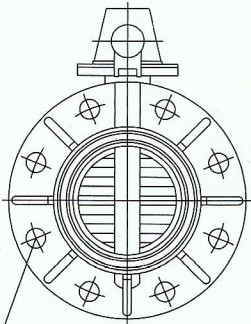
PP ( POLYPROPYLENE )

ISOTACTIC PP

PVDF ( POLYVINYLIDENE FLUORIDE )



NO.	DESCRIPTION	MATERIAL OPTION	QTY.
01	BODY	PP / ISOPP / PVDF	1
02	DISC	PP / ISOPP / PVDF	1
03	SEAT	NEOPRENE / EPDM / VITON	1
04	LEVER	PP / ABS	1
05	STEM	EN 8 / SS 316	1
06	LEVER LOCK	M.S.ZINC COATED / SS 316	1



NO. OF HOLE - N  
HOLE DIA. - Ød  
P.C.D. - K

ALL DIMENSIONS ARE IN MM

( ±2 MM)

SIZE		A	B	C	ØD	L	N	Ød	K
IN.	MM								
3"	80	49	100	168	80	224	4	19.0	152.4
4"	100	54	115	184	104	220	8	19.0	190.5
6"	150	86	145	224	152	225	8	22.0	241.3
8"	200	92	170	280	217	225	8	22.0	292.0

**Note :** We will also provide in :

- SS 316 Parts
  - EPDM / Viton Rubber
  - M.O.C.: PVDF / PP-H
- for details & prices Contact us.

WORKING PRESSURE		
BODY	SEAT	TEMP.
150 PSI	100 PSI	80° C

